

## PME Series ▶ HYD. EASY SELF-CENTER PULLERS

- Puller 2 / 3 Jaws Capacity : 4 - 30 tons
- Maximum Reach : 190 - 415 mm.
- Maximum Spread : 315 - 620 mm.



Model Number	Capacity	Spread	Reach
	(tons)	(mm)	(mm)
HI-POWER PME 400	4	315	190
HI-POWER PME 600	6	390	230
HI-POWER PME 800	8	460	280
HI-POWER PME 1200	12	515	300
HI-POWER PME 2000	20	520	325
HI-POWER PME 3000	30	620	415

## PM Series ▶ HYDRAULIC PULLERS

- Puller 2 / 3 Jaws Capacity : 4 - 30 tons
- Maximum Reach : 185 - 360 mm.
- Maximum Spread : 255 - 550 mm.



Model Number	Capacity	Spread	Reach
	(tons)	(mm)	(mm)
HI-POWER PM 400	4	255	185
HI-POWER PM 600	6	330	220
HI-POWER PM 800	8	350	230
HI-POWER PM 1200	12	375	270
HI-POWER PM 2000	20	520	360
HI-POWER PM 3000	30	550	360

## PRE Series ▶ HYD. EASY SELF-CENTER PULLERS

- Puller Capacity : 4 - 30 tons
- Maximum Reach : 190 - 415 mm.
- Maximum Spread : 315 - 620 mm.



Model Number	Capacity	Spread	Reach
	(tons)	(mm)	(mm)
HI-POWER PRE 400	4	315	190
HI-POWER PRE 800	8	460	280
HI-POWER PRE 1200	12	515	300
HI-POWER PRE 2000	20	520	325
HI-POWER PRE 3000	30	620	415

## PR Series ▶ HYDRAULIC EASY PULLERS

- Puller Capacity : 4 - 30 tons
- Maximum Reach : 185 - 360 mm.
- Maximum Spread : 255 - 550 mm.



Model Number	Capacity	Spread	Reach
	(tons)	(mm)	(mm)
HI-POWER PR 400	4	255	185
HI-POWER PR 800	8	350	230
HI-POWER PR 1200	12	375	270
HI-POWER PR 2000	20	520	360
HI-POWER PR 3000	30	550	360

## HI-POWER PROFESSIONAL TOOLS

- Max. pulling cap: 4 tons, 6 tons, 8 tons, 12 tons, 20 tons, 30 tons
- HI-POWER PME, HIPOWER PRE EASY SELF CENTER
- HI-POWER ALL HYD. PULLERS WARRANTY 18 Months



## HI-POWER ▶ HYD. PULLER MASTER SET

- HYD. BEARING ATTACHMENT, HI-POWER CROSS BEARING PULLERS
- HI-POWER BEARING SPLITTER



## TRI-SECTION PLATE ▶ UNIVERSAL ATTACHMENT



## 50 -150 TONS HI-POWER EASY PULLER

- 50 tons, 100 tons, 150 Tons



## Hydraulic Pullers

HI-POWER PM-Series 2/3 arm Pullers, with integrated pump and cylinder



Compact, ergonomic design, easily operated by one person

### Multifunctional

HI-POWER PM-pullers are ideal for pulling a wide variety of parts, including bearings, bushings, wheels, gears and pulleys. Applications for HI-POWER PM-pullers will be found in motor repair shops, service companies, maintenance shops, industry, mining, paper mills, chemical plants, shipping, offshore, etc.

### Compact

The self contained HI-POWER hydraulic pump saves space, as you don't need a separate HI-POWER pump, hose or cylinder.

### Strong

The harder the force, the tighter the jaws grip. The arms cannot bend or deflect.

### Economical

2- or 3-arm combination puller, two pullers for the price of one, including intergrated pump and cylinder.

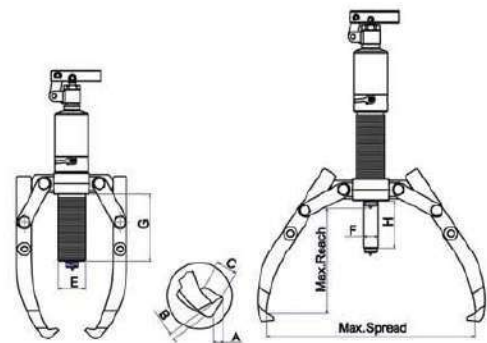
### Safe

The intergral safety release valve prevents overloading and ensures you never exceed maximum power capacity.

### Versatile

Barious accessories are available. The sets are supplied in a practical HI-POWER carry case and consist of a puller block, connecting rods and a set of bearing splitters.

4, 6, 8, 12, 20 and 30 ton capacity!



HI-POWER PM hydraulic pullers.

Model No.	Cap. ton	Art. No.	Max. Shaft length	Reach	Spread	Stroke H mm	Pump tip mm			Jaw tip mm			Weight (kg)
			(mm)	Max. (mm)	Max. (mm)		E	F	G	A	B	C	
● HI-POWER PM 400	4 Ton	791000	185	185	255	60	84	42	22	11	6	22	4.5
● HI-POWER PM 600	6 Ton	792000	220	220	330	70	122	45	25	13	10	25	6.5
● HI-POWER PM 800	8 Ton	793000	230	230	350	85	122	50	25	11	10	25	6.5
● HI-POWER PM 1200	12 Ton	794000	270	270	375	85	118	60	28	14	10	29	8.0
●● HI-POWER PM 2000	20 Ton	796000	360	360	520	111	161	80	40	20	27	33	22.0
●●● HI-POWER PM 3000	30 Ton	797000	360	360	550	111	155	98	50	20	27	38	32.0

● HI-POWER HI-QUALITY PULLERS, ALL INCL.

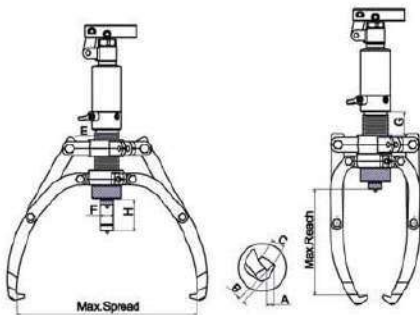
●● HI-POWER SAFETY NET. (SAFETY BLANKET)

## HYDRAULIC EASY PULLER

HI-POWER PME-Series 2/3 arm Pullers, self-centering with integrated pump and cylinder



Compact, ergonomic design, easily operated by one person.



- **Practical** Self-centering, easy to convert 2-arm or 3-arm puller. The arms slide inwards / out wards simultaneously.+
- **Compact** The self contained HI-POWER Hydraulic pump saves space, as you don't need separate pump, hose or cylinder.
- **Strong** The harder the force, the tighter the jaws grip. The arms can not bend or deflect.
- **Economical** 2/3-arm combination puller, two pullers for the price of one, including integrated pump and cylinder.
- **Safe** The integral safety release valve prevents, overloading and ensures you never exceed maximum power capacity.

### Advantages of these self-centering pullers.

- Prevent damage to shaft and workpiece being pulled.
- efficient and saves time.
- Can be used in any position.
- Adapters included.

4,6,8,12,20 and 30 ton Capacity



Puller Assembled Package

### HI-POWER PME 2/3-arm Hydraulic self-centering pullers

Model No.	Cap. ton	Max. shaft length mm	Max.		Min.		Stoke mm	Jaw Tip (mm)			Pump Tip (mm)			Weight kg
			Reach mm	spread mm	Reach mm	spread mm		A	B	C	E	F	G	
* HI-POWER PME400	4 ton	190	190	315	150	43	60	13	10	22	42	22	40	8.0
* HI-POWER PME600	6 ton	230	230	390	165	45	70	13	10	22	45	23	50	9.6
* HI-POWER PME800	8 ton	280	280	463	225	95	85	13	13	27.5	50	25	70	11.7
* HI-POWER PME1200	12 ton	300	300	515	240	100	85	15	16.5	29	60	28	70	14.8
** HI-POWER PME2000	20 ton	325	325	520	250	110	111	18	20	33	80	40	62	25.7
** HI-POWER PME3000	30 ton	415	415	620	330	120	111	18	20	38	95	50	85	36.0

\*HI-POWER HI-QUALITY PULLERS, ALL INCL, \*\* HI-POWER SAFETY NET (SAFETY BLANKET)

HI-POWER EASY PULLER



PRE SELF-CENTERING



## Hydraulic Pullers

### HI-POWER PRE 2/3-arm Pullers, Self-centering



HI-POWER PRE 5000

#### HI-POWER, Safe and user-friendly dismantling of bearings, couplings, rings etc.

Separate 2-stage HI-POWER hand pump available

- Self-centering, easy to convert 2- or 3-arm puller.
- The arms slide inwards or outwards simultaneously.

#### Safe

- Arms can never deflect.

#### Economical

- 2- or 3-arm all in one puller.
- 2/3 jaws combination puller cross head with manganous-phosphate plated for rust proof and durability

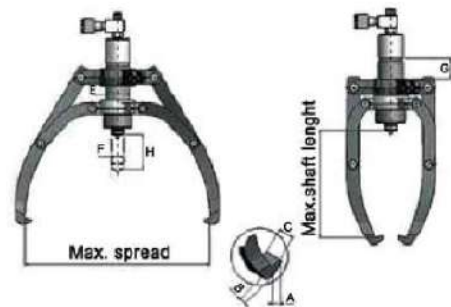
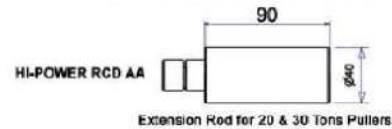
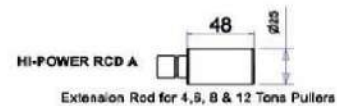
#### Strong

- Heat treated & chrome plated hydraulic cylinder rod.
- The greater the pulling force.
- PRE-5000 also available with mobile crane.

#### Advantages of centering pullers :

- Heat treated forged alloy steel cross bolts & jaws with manganous-phosphate plated for rust proof & long life service.
- Prevent damage to shaft and workpiece being pulled.
- work efficient and save time.

4,8,12,20,30 and 50 ton capacity



#### HI-POWER PRE hydraulic self-centering pullers.

Model No.	Cap. ton	Max. Shaft length (mm)	Reach		Spread		Stroke H mm	Pump tip mm			Jaw tip mm			Weight (kg)
			Max. (mm)	Min. (mm)	Max. (mm)	Min. (mm)		E	F	G	A	B	C	
HI-POWER PRE 400	4 Ton	190	190	150	315	43	60	42	22	40	13	10	22	7.4
HI-POWER PRE 800	8 Ton	280	280	225	460	95	85	42	22	40	13	10	22	13.9
HI-POWER PRE 1200	12 Ton	300	300	240	515	100	85	50	25	70	13	13	27.5	16.4
HI-POWER PRE 2000	20 Ton	325	325	250	520	110	111	60	28	70	15	16.5	29	43.5
HI-POWER PRE 3000	30 Ton	415	415	330	620	120	111	80	40	62	20	27	33	56.5
HI-POWER PRE 5000	50 Ton	455	455	296	860	160	159	98	50	85	20	27	38	140.0

\*HI-POWER HI-QUALITY PULLERS, ALL INCL. HI-POWER SAFETY NET (SAFETY BLANKET)

# HI-POWER HI-QUALITY

Hydraulic Professional Tools

HI-POWER®

## HI-POWER HYDRAULIC PULLERS

2/3 Pullers, W/ HI-POWER Hand Pump 700 Bar

## PR-Series



Hi-POWER PR-3000 with HI-POWER Hyd. Hand pump Pro set.

### HI-POWER PR Series, 4-30 tons.

HI-POWER, Safe and user-friendly dismantling of bearings, couplings, rings etc.

Separate HI-POWER HAND PUMP PRO SET available

- Spring loaded live centering nut easy job (removable).
- Each arms slide flexible, Easily release valve.

#### Safe

- Arms can never deflect.

#### Economical

- 2- or 3-arm all in one puller.
- 2/3 jaws combination puller cross head with manganous-phosphate plated for rust proof and durability

#### Strong

- Heat treated & chrome plated hydraulic cylinder rod.
- The greater the pulling force.

#### Advantages :

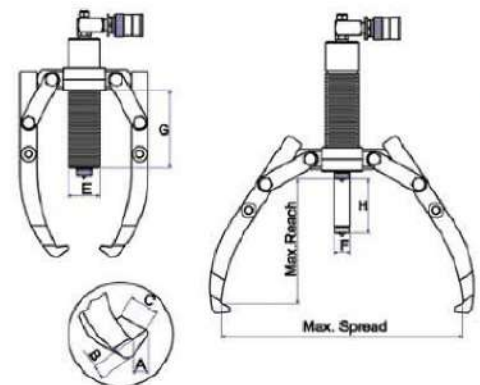
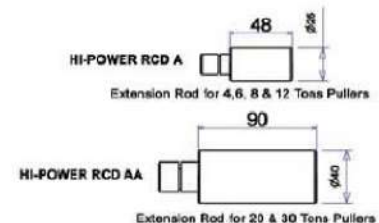
- Heat treated forged alloy steel cross bolts & jaws with manganous-phosphate plated for rust proof & long life service.
- Provent damage to shaft and workpiece being pulled.
- Work efficient and save time.

#### 4,8,12,20, and 30 tons capacity

\* HI-POWER Steel case dimension : 72 x 18 x 18 cm.

\* HI-POWER HI-QUALITY PULLERSM ALL INCL, HI-POWER SAFETY BLANKET

\* Suggested HI-POWER HYDRAULIC HAND PUMP PRO SET 700 BAR, Suil to 4-30 tons puller set



### HI-POWER HYD. HAND PUMP PRO SET 700 Bar.



HI-POWER Puller

Model No.	Cap. ton	Max. Shaft length	Reach	Spread	Stroke H mm	Pump tip mm			Jaw tip mm			Weight (kg)
		(mm)	Max. (mm)	Max. (mm)		E	F	G	A	B	C	
HI-POWER PR 400	4 Ton	185	185	255	60	42	22	84	11	6	22	8.0
HI-POWER PR 800	8 Ton	230	230	350	85	50	25	122	11	10	25	12.0
HI-POWER PR 1200	12 Ton	270	270	375	85	60	28	118	14	10	29.0	12.7
HI-POWER PR 2000	20 Ton	360	360	520	111	80	40	161	20	27	33	39.3
HI-POWER PR 3000	30 Ton	360	360	550	111	98	50	155	20	27	38	51.5

HI-POWER®

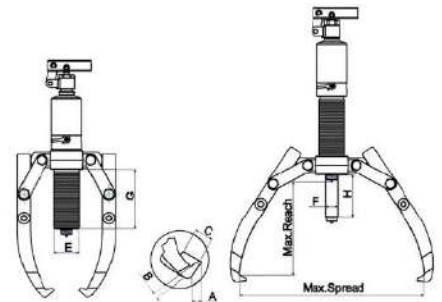
## HI-POWER PULLER 2/3 JAWS PRO PLUS PULLER & UNIVERSAL BEARING ATTACHMENT SET



HI-POWER PRO PLUS SET including puller body, jaw assembly, cross bearing, extension bar and blow molded case for practical and safe work.

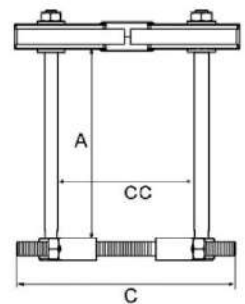
### HI-POWER PULLER PRO PLUS SET

Model No	Capacity	Reach	Reach	Stroke	Pump Tip (mm)			Jaw Tip (mm)			Weight (kg)
	(ton)	(Max. mm)	(Min. mm)	(mm)	C	D	E	A1	B1	C1	
HI-POWER PM420	4 Tons	211.5	127.5	60	42	22	84	11	6	22	4.5 / 8.5
HI-POWER PM620	6 Tons	243.5	153.5	70	45	23	90	13	10	22	5.5 / 11.5
HI-POWER PM820	8 Tons	243.5	121.5	85	50	25	122	11	10	25	6.5 / 12.6
HI-POWER PM1220	12 Tons	288	173	85	60	28	115	14	10	29	8.0 / 18.0



### SPECIFICATION HI-POWER Bearing attachment cross bearing set. (INCLUDING IN SET)

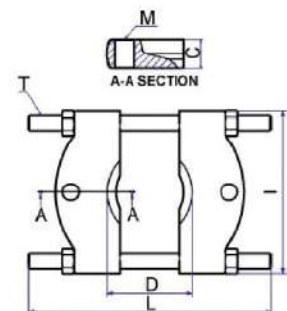
Model No.	Capacity	A (mm)	D (mm)	C (mm)	CC (mm)	Thread	Bearing Attachment	Weight (kgs)
	(ton)		Min-Max.		Min-Max.	(inch)		
HI-POWER P412	4 tons	224	12-70	163	100-145	1/2"- 13UNC		6.5
HI-POWER P612	6 tons	255	28-150	260	115-220	5/8"- 11UNC	HYC9025	10.5
HI-POWER P812	8 tons	255	28-150	260	110-230	5/8"- 11UNC	HYC9025	11.5
HI-POWER P1212	12 tons	298	20-200	360	140-310	3/4"- 10UNC	HYC9035	20.0



\* Excluding the hydraulic pump body.

### TECHNICAL DATA HI-POWER Bearing Attachments (INCLUDING IN SET)

Model No.	D	C	L	I	ØT	ØM	Weight
	Min-Max.						
	(mm)	(mm)	(mm)	(mm)	(inch)	(inch)	(kgs)
HI-POWER HYC9005	5-60	17	120	92	3/8-24UNF	3/8-16UNC	0.7
HI-POWER HYC9010	15-60	20	135	130	1/2-20UNF	3/8-16UNC	1.5
HI-POWER HYC9015	12-70	27	165	156	5/8-18UNF	1/2-12UNC	2.6
HI-POWER HYC9025	28-150	33	275	207	3/4-16UNF	5/8-11UNC	5.0
HI-POWER HYC9035	20-200	38.5	350	240	1-14UN	3/4-10UNC	10.0
HI-POWER HYC9035A	20-200	38.5	350	240	1-14UN	1/14UN	11.0



## HI-POWER Tri Section Plate



Spreading - Rear Side



Spreading - Front Side



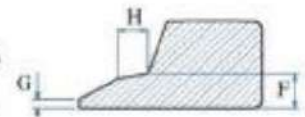
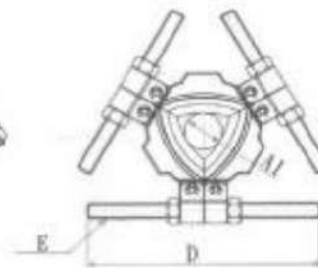
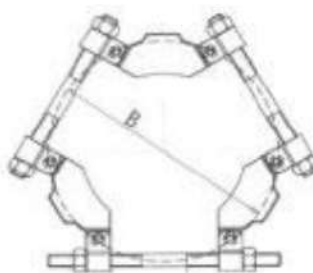
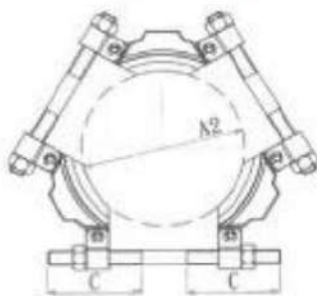
Swivel design creates wider spread.



Easy Operating

### USER-FRIENDLY & SAFE

- Unique & patented swivel design creates the max. spread.
- The tri-section construction provides the even force distribution, preventing bearing from locking and/or tilting on the shaft during dismantling.
- Suitable for combination usage with all three-armed hydraulic pullers.
- Available in a wide range, covering the most common shaft sizes.
- The firm grip behind inner and outer rings of bearing ensures the pulling force being transmitted through the moving parts and preventing the damaging of bearing.



### SPECIFICATIONS ( mm )

Model No.	Available Shaft Dia.		Spread B (Max.)	C	D	E	F	G	H	Capacity (Ton)	Weight (kg)
	A1	A2									
TRI3-160	26	160	216	105	240	5/8"-11UNC	8	2	6.5	6	3.5
TRI3-210	50	210	280	117	285	7/8"-14UNF	10	2	9	8	5.5
TRI3-340	90	340	460	175	430	1 1/4"-12UNF	14	2	8	20	18
TRI3-495	140	495	660	235	610	1 3/4"-12UNF	20	2	12	30	45