

▼ Shown from left to right: RSM1000, RSM500, RSM200, RCS1002, RSM100, RCS201, RSM50



Maximum Power-to-Height Ratio



HI-POWER HAND PUMP PRO
Hi-Quality HI-POWER hand pump 700bar, gauge & adaptor, hyd. hose for all RSM or all RCS-cylinders.



Low-Clearance Lifting
The LW-Series Lifting Wedges and SOH-Series Machine Lifts are the perfect choice for lifting the first few inches.

▼ Only a couple of inches will do for an RSM-cylinder to lift a large construction.



RSM-Series, Low-Height Cylinders

- Compact, flat design for use where most other cylinders will not fit
- Single-acting, spring-return
- RSM750, 1000 and 1500 have handles for easy carrying
- RSM750, 1000 and 1500 have handles for easy carrying
- Mounting bolt holes permit easy fixturing
- Baked enamel finish for increased corrosion resistance
- C3/8F HI-POWER coupler with dust cap included on all models
- Hard chrome plated high quality steel plungers
- Grooved plunger ends require no saddle.

RCS-Series, Low-Height Cylinders

- Lightweight, low-profile design for use in confined spaces
- Single-acting, spring-return
- Baked enamel finish for increased corrosion resistance
- Plunger wiper reduces contamination, extending cylinder life
- C3/8F HI-POWER coupler with dust cap included on all models
- Grooved plunger end with threaded holes for mounting tilt saddles
- Integral handle on RCS1002 for easy carrying
- Plated steel plungers.

Cylinder Capacity	Stroke	Model Number	Cylinder Oil Effective Capacity	
			(cm ²)	(cm ³)
5 (45) tons (kN)	6 (mm)	RSM-50 ¹⁾	6.5	4
10 (101)	11	RSM-100 *	14.5	18
20 (201)	11	RSM-200 *	28.7	32
30 (295)	13	RSM-300 *	42.1	55
50 (435)	16	RSM-500 *	62.1	99
75 (718)	16	RSM-750	102.6	164
100 (887)	16	RSM-1000	126.7	203
150 (1386)	16	RSM-1500	198.1	317
10 (101)	38	RCS-101 *	14.5	55
20 (201)	45	RCS-201 *	28.7	129
30 (295)	62	RCS-302 *	42.1	261
50 (435)	60	RCS-502 *	62.1	373
100 (887)	57	RCS-1002 *	126.7	722

¹⁾ SPECIAL RSM50 with longer for easy handle
More : for HIPOWER PRO set, Cylinder+Pump+Gauge+Hose

Single-Acting, Low-Height Cylinders

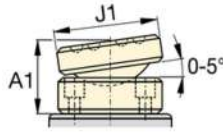
HI-POWER®
High Quality Powerful Solutions



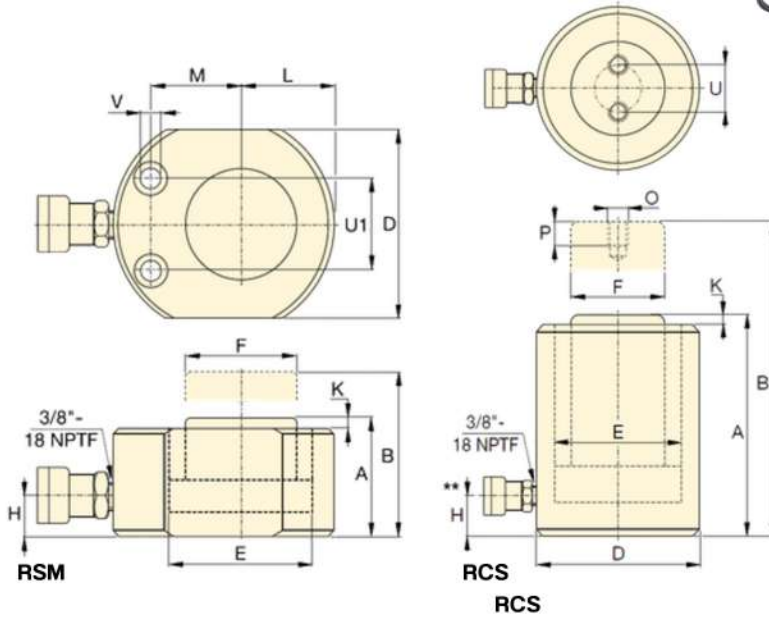
HI-POWER Make Easy
Hi-Quality RCS & RSM
Small size , Most Powerful
Heavy lifting made easy,
even in narrow/small space.

Optional Bolt On Tilt Saddle Dimensions (mm)

For Cylinder Model:	Model Number	J1	A1*
RCS-101	CATS13	35	20
RCS-201,302,502	CATS53	50	26
RCS-1002	CATS1003	71	35




* A1 = Addition to Collapsed Height.



HI-POWER HAND PUMP PRO
Hi-Quality light weight hand pump
700bar HAP series, gauge adaptor
assembly, hose for all RCS RSM.

RSM Cylinder Mounting Hole Dimensions (mm)

Model Number	Bolt Circle U1	Hole Dia. V	Counter Bore Dia.	Counter Bore Depth
RSM-50	28.5	5.5	9.1	4.3
RSM-100	36.6	7.1	10.7	7.9
RSM-200	49.3	10.0	15.1	9.9
RSM-300	52.3	10.0	15.9	11.2
RSM-500	66.5	11.0	19.0	12.7
RSM-750	76.2	13.5	20.6	14.2
RSM-1000	76.2	13.5	20.6	14.2
RSM-1500	117.3	13.5	20.6	14.2

Collapsed Height	Extended Height	Outside Diameter	Cylinder Bore Diameter	Plunger Diameter	Base to Plunger Advance Port	Plunger Protrusion from Base	Plunger to Base	Plunger to Mtg. Hole	Thread	Thread Depth	Bolt Circle		Model number
A (mm)	B (mm)	D (mm)	E (mm)	F (mm)	H (mm)	K (mm)	L (mm)	M (mm)	O (mm)	P (mm)	U (mm)	(kg)	
32	38	58 x 41	28.7	25.4	16	1	20	22	-	-	-	1.0	RSM-50 ¹⁾
43	54	82 x 55	42.9	38.1	19	1	27	34	-	-	-	1.4	RSM-100 *
51	62	101 x 76	60.5	50.8	19	1	39	39	-	-	-	3.1	RSM-200 *
58	71	117 x 95	73.2	63.4	19	2	47	44	-	-	-	4.5	RSM-300 *
66	82	140 x 114	88.9	69.8	19	2	57	53	-	-	-	6.8	RSM-500 *
79	95	165 x 139	114.3	82.6	19	2	69	66	-	-	-	11.3	RSM-750
85	101	178 x 153	127.0	92.2	19	2	76	74	-	-	-	14.5	RSM-1000
100	116	215 x 190	158.8	114.3	23	2	95	82	-	-	-	26.3	RSM-1500
88	126	69	42.9	38.1	17	5	-	-	M4	8	26	2.7	RCS-101 *
98	143	92	60.5	50.8	17	3	-	-	M5	8	40	5.0	RCS-201 *
117	179	101	73.2	66.5	19	3	-	-	M5	8	40	6.8	RCS-302 *
122	182	124	88.9	69.8	23	2	-	-	M5	8	40	10.0	RCS-502 *
141	198	165	127.0	92.2	31	1	-	-	M8	10	55	20.7	RCS-1002 *